

**RPI** RESEARCH  
PRODUCTS  
INTERNATIONAL

# Citadel

Deep Well Plates & Cluster Tubes



Secure Vessels for Storage & Reaction

SSIbio

# Deep-Well Plates

Ideal for sample collection, preparation, and long-term storage.

- HTS-friendly—compatible with most liquid-handling robots.
- Centrifugation to 4,000 x G RCF.
- Manufactured from virgin polypropylene to ensure purity and sample integrity, chemical resistance, and compatibility with long-term storage needs.
- Alphanumeric indexing molded in on A-H and 1-12 axes.
- Optimum sample mixing and recovery with highly-polished wells and radiused corners.
- Raised rims on each well facilitate secure sealing with films and sealing mats.
- Bar coded plates available—contact SSIBio for details.
- Autoclavable.
- Certified free of detectable DNase, RNase, DNA, and PCR inhibitors. Sterile plates are also pyrogen-free.



162520



162521



162522



162523



162526

## Deep Well Plates

Item #	Description	Number of Wells	Packaging
162520	1.1 mL Deep-Well Plate, Round Bottom	96 Round Wells	5/unit, 10 units/case
162520-S	1.1 mL Deep-Well Plate, Round Bottom, Sterile		
162521	1.1 mL Deep-Well Plate, Square, V-Bottom	96 Square Wells	
162522	2 mL Deep-Well Plate, Round Bottom	96 Round Wells	
162522-S	2 mL Deep-Well Plate, Round Bottom, Sterile		
162523	2 mL Deep-Well Plate, Square, V-Bottom	96 Square Wells	
162523-S	2 mL Deep-Well Plate, Square, V-Bottom, Sterile		
162526	240 µL Deep-Well Plate, V-Bottom	384 Square Wells	
162526-S	240 µL Deep-Well Plate, V-Bottom, Sterile		

## Sealing Foils and Mats

- Sealing foil is DMSO-resistant and specially designed for deep well plates.
- Silicone sealing mats are reusable and pierceable.
- Temperature range for foil or mats: -80° to + 120°C.



162524

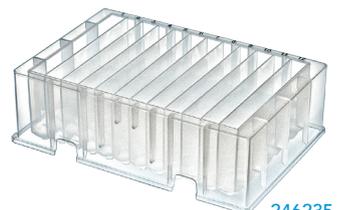


162525

Item #	Description	Well Fit	Packaging
162524	Sealing Mat for Deep-Well Plate	96 Round Wells	10/unit, 5 units/case
162524-S	Sealing Mat for Deep-Well Plate, Sterile		
162525	Sealing Mat for Deep-Well Plate	96 Square Wells	
162525-S	Sealing Mat for Deep-Well Plate, Sterile		

## Reservoir

Item #	Description	Volume	Max Volume	Number of Channels	Packaging
246235	12-Channel Reservoir	20 mL	22 mL	12 Channels	5/unit, 4 units/case



246235

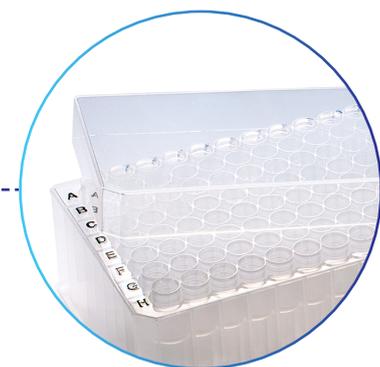
## Secure Vessels for Storage & Reaction

- Deep-well plates are ideal for sample collection, prep, and long-term storage.
- Cluster tubes are ideal for storage, dilution, mixing, harvesting, culture assays, and screening.
- Deep-well plates and tube racks have SBS footprint for use in automation.

Deep-Well Plates and Cluster Tube Systems are ideal for high-throughput screening processes and long-term storage. It all begins with medical-grade, virgin polypropylene, combined with proprietary injection molding techniques to produce high-clarity vessels that are exceptionally robust, chemically-resistant, and pure.

### Cluster Tubes & Rack Systems

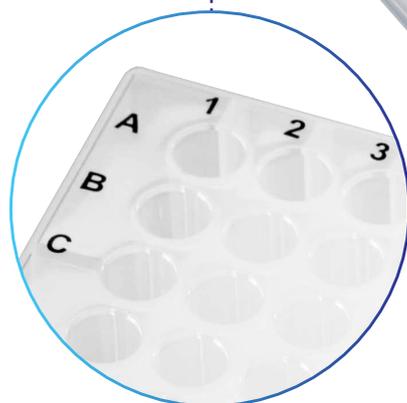
Rack system is suitable as a reaction vessel in your robotic workstation or as a long-term storage vessel in your sample library.



A clear lid is a standard part of the rack system.



Available with individual tubes, strips of 8 tubes, or strips of 12 tubes.



Bold, black alphanumeric indexing



Tubes and racks are made from virgin polypropylene; strip caps are polyethylene.

# Cluster Tubes & Rack Systems

Ideal for storage, dilution, mixing, harvesting, culture assays, and screening.

- SBS footprint; 8 × 12 format.
- Ideal for automation / HTS.
- Available in individual tubes, strips of 8 tubes, and strips of 12 tubes.
- Tubes and racks are made from virgin polypropylene; strip caps are polyethylene.
- Rack systems are suitable as a reaction vessel in your robotic workstation or as a long-term storage vessel in your sample library.
- A clear lid is a standard part of rack system.
- Bold, black alphanumeric indexing.
- Autoclavable.
- Certified free of detectable DNase, RNase, DNA, and PCR inhibitors. Sterile tubes and plates are also pyrogen-free.



162527



162528



162529

## Non-Racked Tubes

Item #	Sterile Item #	Volume	Description	Packaging
162527	n/a		Individual Tubes	1000/unit, 10 units/case
162528	n/a	1.2 mL	Strips of 8 Tubes	125/unit, 10 units/case
162529	n/a		Strips of 12 Tubes	80/unit, 10 units/case

## Cap Strips

Item #	Sterile Item #	Description	Packaging
162530	162530S	Strips of 8 Caps	125/unit, 10 units/case
162531	162531S	Strips of 12 Caps	80/unit, 10 units/case



162530

162531

## Racked Tubes with Lid

- Rack system is suitable as a reaction vessel in your robotic workstation or as a long-term storage vessel in your sample library.

Item #	Sterile Item #	Tube Volume	Description	Packaging
162532	162532-S		Individual Tubes, Racked	10/unit, 10 units/case
162533	162533-S	1.2 mL	Strips of 8 Tubes, Racked	10/unit, 10 units/case
162534	162534-S		Strips of 12 Tubes, Racked	10/unit, 10 units/case



162532

162533

162534

# Citadel™ Deep Well Plates

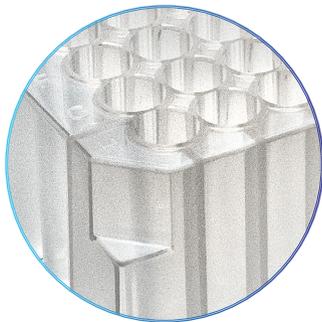
SBS footprint meets ANSI/SLAS 1-2004.

Flatness tested for reliable automation performance.

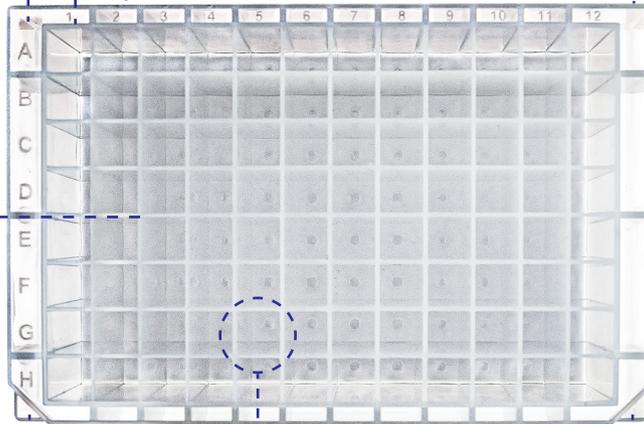
High-Contrast Alphanumeric Indexing molded in on A-H and 1-12 axes.



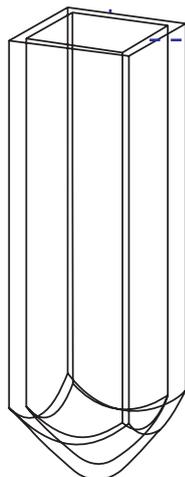
Raised rims on each well facilitate secure sealing with films or sealing mats.



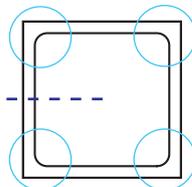
Corner notches at H1 and H12 for easy orientation.



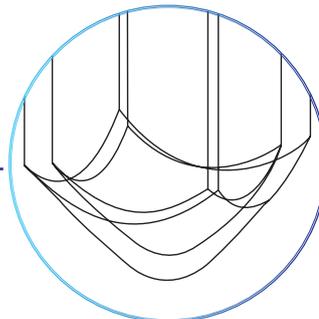
7753-00



Radiused corners and highly-polished wells with smooth transitions prevent capillary wicking and facilitate thorough sample mixing and recovery.



Radiused corners.



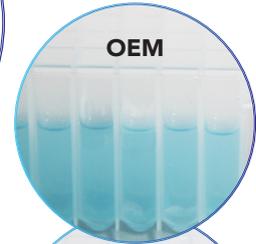
Smooth transitions.



Stackable.

Purity Assured

Products are certified free of RNase DNase, DNA, and PCR inhibitors, also endotoxin-free.



OEM



A Leading Brand

Ultra-clear for easy visualization of samples.



Autoclavable

Products may be sterilized at 121°C and 15psi for 15 minutes.



Recyclable

All tubes and plates are manufactured from virgin polypropylene and fully compliant with recycling standards.